

Translated from the original in Italian

DEAR CUSTOMER,

Thank you for having chosen a Corradi product.

This Manual is the reference guide for maintaining your Pergotenda® Maestro, so we recommend that you read it carefully in its entirety and keep it on hand, remembering that the proper operation of Pergotenda® Maestro, and therefore also your safety, is guaranteed only under the conditions set out in the following pages. The guidelines contained in this manual ensure that Pergotenda® Maestro remains the ideal place to spend your time relaxing outdoors.

Along with the product, our Authorised Retailer will also provide you with the manual, together with the "Declaration of Performance", "Declaration of Proper Installation" and the "Fabrics GTOT" documents.

Corradi Srl

WELCOME TO THE CORRADI WORLD



ATTENTION

Before using the product, read carefully the following manual.

It must be kept for the entire life cycle of the product, together with the "Declaration of Performance".

If you lose this manual, contact immediately your dealer or Corradi headquarters to request the delivery and validation of a new copy.

Corradi Srl reserves the right to update this manual and its annexes without the obligation to update the production and previous manuals.

CONTENTS

How to use Pergotenda® Maestro.....	2
Versions and motors.....	3
Components of Self-supporting Pergotenda® Maestro.....	4
Components of Wall-mounted Pergotenda® Maestro.....	5
Material and component features.....	6
General safety warnings.....	8
CE marking.....	10
Maintenance.....	11
Troubleshooting.....	12
Warranty.....	13
Tables.....	14



HOW TO USE PERGOTENDA ® MAESTRO

Pergotenda ® Maestro is a custom made retractable covering system. It can be free-standing, single, connected laterally to another unit or anchored to a support wall, composed of an aluminium framework and a canvas stacking closure.

Pergotenda ® Maestro is designed exclusively to protect against sun and rain, snowfall excluded, with a resistance to class 2 water pockets (56 litres/square metre per hour) according to standard EN 13561 and wind resistance (indicated on the attached declaration of performance) in compliance with standard EN 13561. The use of the product in case of wind and precipitation is therefore allowed only within the limits of such resistance classes.

For non-standard products and/or other special cases, the only valid values in terms of wind resistance and resistance to water pockets are those indicated in the offer and/or order confirmation sent by Corradi to the Authorised Retailer.

The maximum load for which the non-retractable parts of the awning are designed is 800 Pa.

Any use of the product other than that indicated is prohibited. Improper use relieves Corradi from all liability for any injuries to persons and animals and damage to property. Failure to observe the conditions of use automatically invalidates the warranty.

The Pergotenda ® Maestro system is driven by a motor-reducer (electric drive) and can be remotely controlled. Upon request movement can be driven by a gearbox (manual drive).

Remote control

Pergotenda ® Maestro is equipped with a remote control, to raise, lower, and stop the canvas refer to the remote control's manual.



Do not allow children to play with the canvas control device. Keep the remote control out of reach of children. For all the safety instructions and notes regarding the remote control supplied, refer to the remote control's manual. Periodically check that the battery is charged.

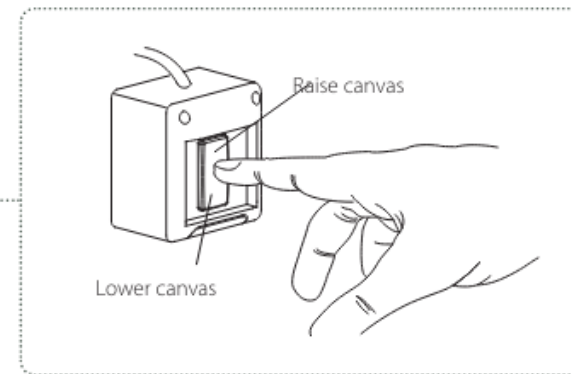
Electric drive

Pergotenda ® Maestro can be equipped with a button on the wall (not supplied by Corradi). The installation of the button must be performed by a qualified electrician.

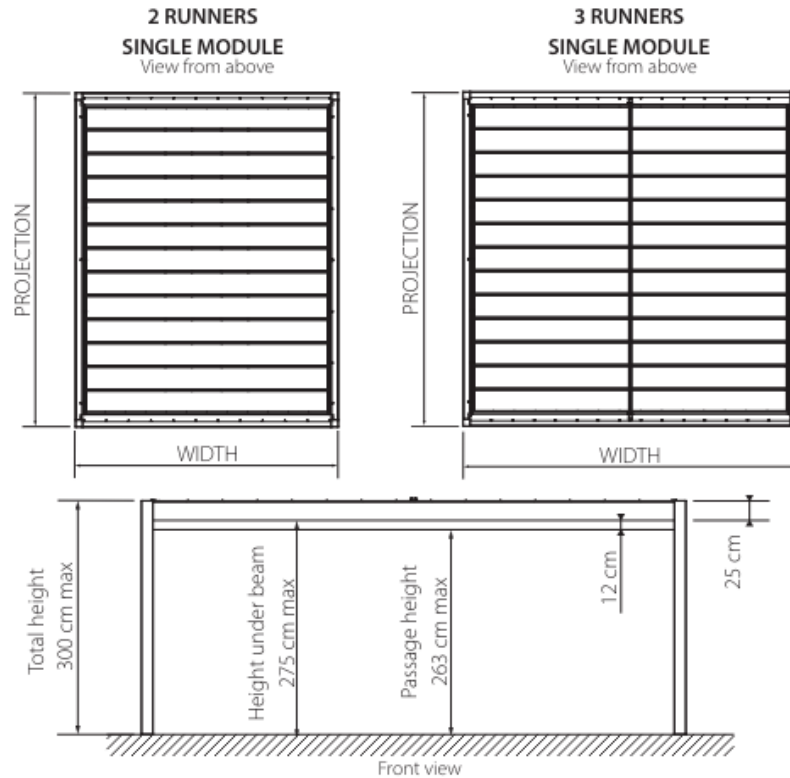
To lower the canvas press the bottom part of the button, to raise it press the top part. When the button is released the canvas will stop moving. The button must be installed in a protected position, at a height between 90 and 120 cm, or in any case at the minimum height from the ground permitted by law in accordance with national regulations concerning disabled persons. The command must be installed in an area in which access is not a source of danger and in a position from which the canvas is visible during its operation, within sight of the front profile but away from moving parts.



Do not allow children access to the wall button and prevent them from playing with it.



VERSIONS AND MOTORS



Type 1 PLAN MOTOR



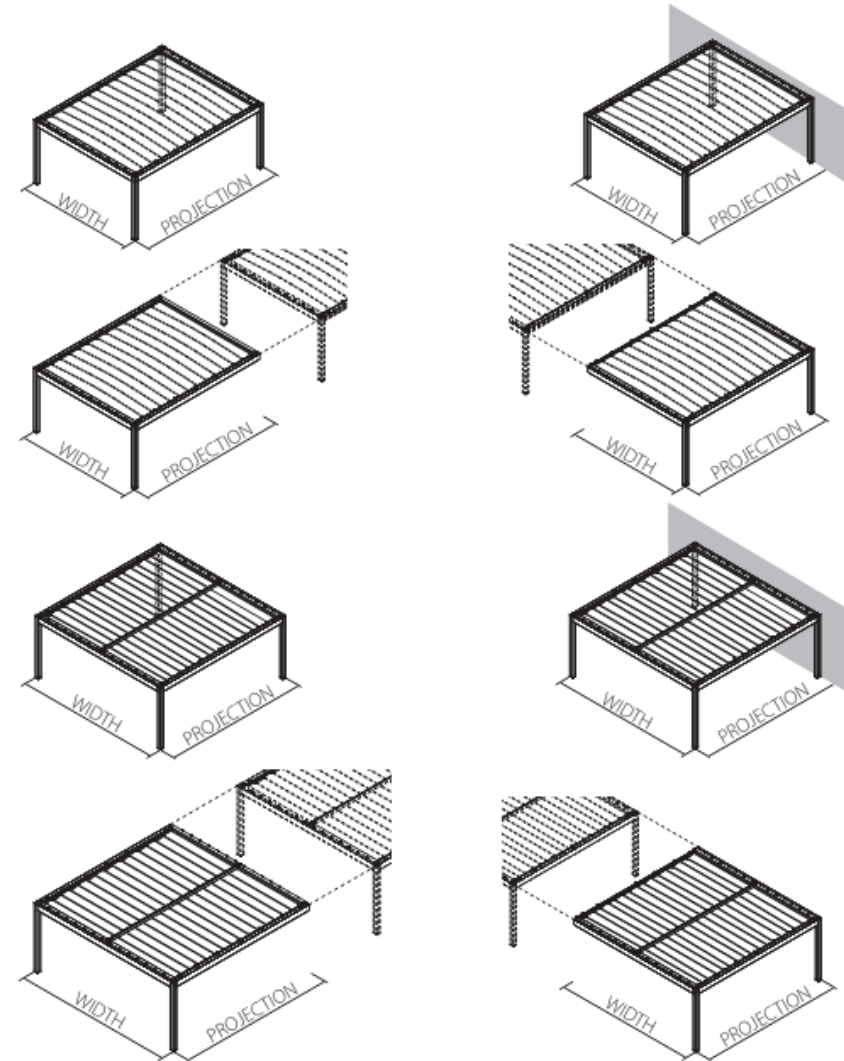
220 Volt motor-reducer - 218 W complete with limit switch with button for raising and lowering. Ideal for flat awnings with 2 or more runners because the canvas is never in tension; or for pitched awnings with up to 3 runners with a maximum projection of 350 cm.

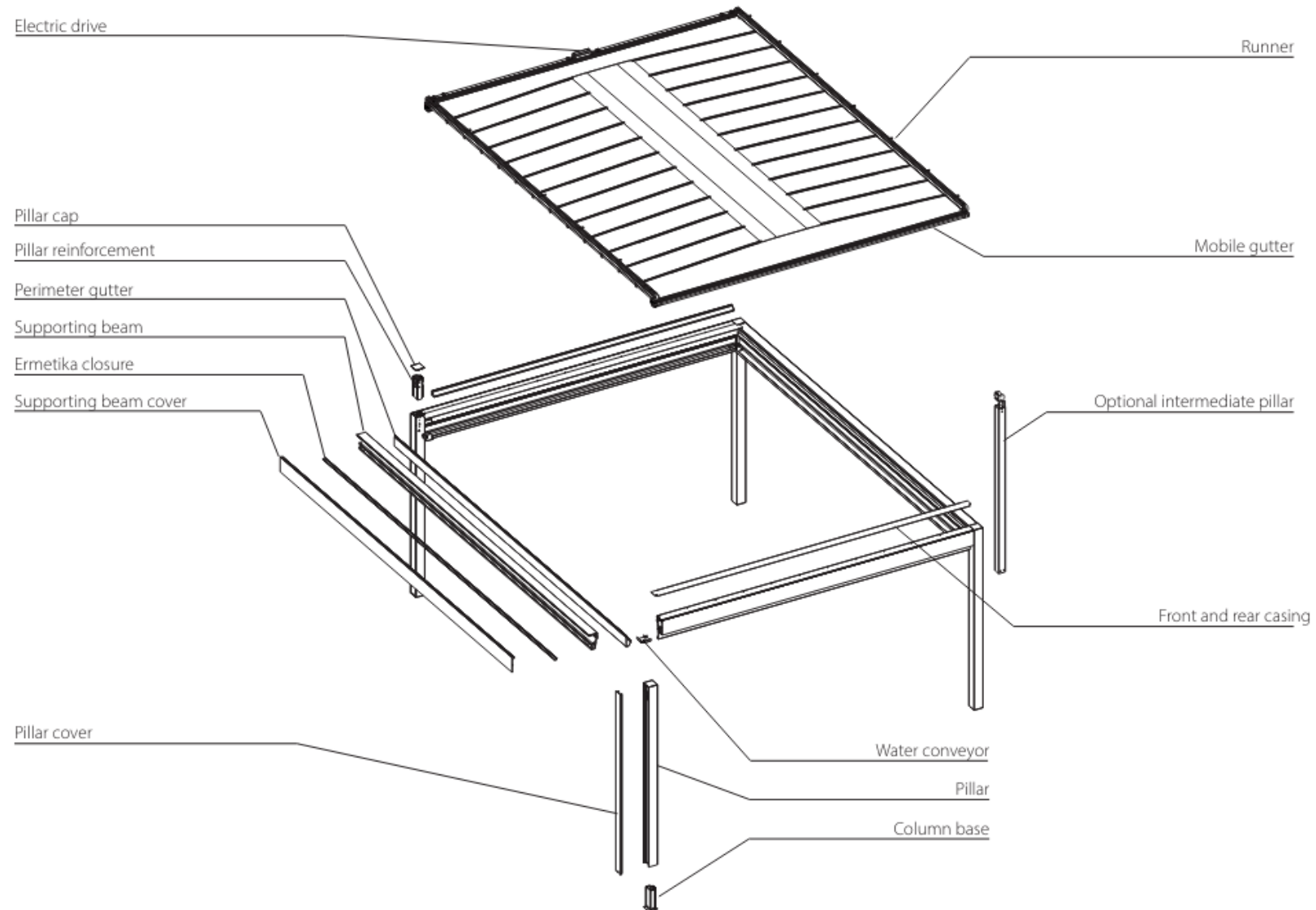
Type 2 SLOPE MOTOR MONO CONTROL UNIT



220 Volt motor-reducer - 218 W with control unit equipped with voltage control microprocessor and receiver for radio frequency remote control (433.42 MHz), with two-channel emitter. Ideal for pitched awnings with 2 or 3 runners to always ensure proper canvas tension for each movement that can change based on the expansion of the fabric or of the runners due to temperature variations.

Below are illustrated some possible versions of 2- and 3-runner Pergotenda® Maestro in the free-standing, wall-mounted and connected variants.



COMPONENTS OF SELF-SUPPORTING PERGOTENDA® MAESTRO


MATERIAL AND COMPONENT FEATURES

To enter the Corradi production cycle, materials must pass all tests required by the Company's Quality System.

The features listed below identify the peculiarities of the materials and therefore should not be understood as manufacturing defects, with the exception of the cases noted in the *non-conformity/defect* column.

Warnings:

For complaint and warranty terms, see the *Warranty* chapter.

Any change made to the product not expressly authorised by Corradi voids the warranty.

	Product features	Non-conformity / defect
General	The framework is not watertight. During particularly violent storms with strong wind some water infiltration is possible.	
	Structures situated in urban environments are subjected to pollutants (smog, acid rain), smoke from chimneys, cooking fumes, and inclemencies of the weather in general. Therefore it is normal for the canvas and the framework to get dirty. Frameworks and canvas are not self-cleaning.	
	The lateral tilting of the framework is not a sign of structural weakness, but rather is regarded as normal for the type of framework. The framework was designed by qualified engineers using Eurocodes.	
Canvas	Depending on the installation conditions it is possible for the canvas to get dirty (pollutants, smoke from chimneys, smog, etc.). In this case it may be necessary to clean the canvas more frequently, as explained in maintenance chapter.	
	The canvas is not immune from burning caused by cigarette butts, etc.	
	In particular situations it is possible for condensation to form in the inner part of the canvas. To limit this condition keep the area well ventilated.	
	The appearance of mould in the canvas embossing is due to the presence of humidity on the canvas which favours the growth of micro-organisms. It is therefore necessary to clean the canvas at regular intervals, more frequently where necessary.	
	The presence of folds in the canvas immediately after the first installation may be due to packaging or how long the canvas has remained packed. It is necessary to keep the canvas in place for at least 10 days, and evaluate the quality of the product after this period of time.	ATTENTION: For stacked stretched canvas with spacers and 3 runners or 2 curved runners, the folds that occur during stacking and when stacking is completed are not to be considered defects, but rather features of the stacking type.
Gutter	In case of heavy rainfall it is possible that the gutter is not able to drain the water. This could cause water infiltration.	
	Channelling water to the ground is not controllable by Corradi but rather is the responsibility of the final customer. The installation conditions, slopes and any drainage wells are the sole responsibility of the Retailer.	
Runners	Sometime after installation and if the periodic maintenance on the runners is not carried out, as indicated in the manual, the runners may become noisy.	
Sliders	Noise may occur in the sliders.	

	Product features	Non-conformity / defect
False ceiling	In particular situations it is possible for condensation to form between the canvas and the false ceiling. This can cause dirt and/or mould in the intermediate zone. Remove the false ceiling and wash it.	
Motors	<p>Electrical system: must be performed by an authorised electrician who must issue a certificate of conformity for the electrical system.</p> <p>The system must have an adequate level of protection since it is installed outdoors. An authorised electrician is able to properly configure the system and select the suitable components (proper IP rating).</p> <p>Any drops in voltage or radio interference can cause loss of the limit switches to the motors.</p> <p>In this case it is necessary to reprogram the motor as indicated in the relevant motor manual.</p> <p>Any noise should not be considered as a relevant hazard, according to the health and safety requirements relating to the machinery.</p>	
Stainless steel	The stainless steel components do not require special maintenance. The appearance of micro-oxidation, more frequent in maritime environments subject to salt spray, does not affect the quality and durability of the product. Such oxidation is normal. If you need to eliminate these oxidised spots you can use a steel wool or a brush with stainless steel bristles. The protective chromium oxide film (self-passivation) will be restored naturally just through exposure to air, without any intervention by the user.	
Aluminium	The presence of marks and scratches is considered as a defect only if they are visible at a distance of 2 meters.	If the marks and/or dents are visible at a distance of 2 meters it is considered as a defect.
Painting		<p>Orange peel: the surface of the coating film is uneven and looks like an orange peel.</p> <p>Blistering: bulges on the surface of the coating film of various sizes and frequency.</p> <p>Sagging of the outer layer: irregular accumulations of paint localised and well defined in the form of shallow, rounded edges affecting the outer layer.</p> <p>Flaking - Peeling: the coating film detaches from the underlying support in the form of small flakes.</p> <p>Porosity - Pitting: small holes similar to craters or indentations in the surface of the film, ranging in size from small pin-holes up to diameters of 1 cm.</p> <p>Impurities in the outer and inner layers: the paint film has a rough and uneven surface, easily perceptible to the touch.</p> <p>Paint chips due to interference: the paint film has damage and lesions of different depth and extent depending on the cause.</p>



GENERAL SAFETY WARNINGS

Important safety instructions

Caution:

For personal safety it is important to follow these instructions. Keep these instructions

Symbols

Symbols are employed to draw the user's attention to specific subjects for the safety of people, of the product, or to indicate special operating conditions.



Attention general hazard - possibility of damage to people, property, components.



Attention electrical hazard.



Attention Shearing/crushing hazard.

General warnings

Each Corradi product has a specific function described in this manual; any other use and different from the one indicated, the use of non-original components, any tampering and/or unauthorised technical modification, relieves Corradi from any responsibility for any injuries to persons and animals and damage to property deriving from the activity.

Any modifications made personally or by third parties not authorised by Corradi (tampering, technical modifications, etc.) on the Pergotenda® Maestro or its components during the warranty period immediately renders the warranty void. In this case and in these conditions, Corradi will be relieved from any liability and from any direct or indirect consequential obligation deriving from the unauthorised work.

Please always keep in mind that each moving part can represent a hazard.

Make sure that while opening/closing the canvas there are no people in the vicinity of its operating range.

Do not allow children to play with the control device of the product, keep the remote control out of their reach.

It is forbidden to hang on to or support oneself on the framework: risk of serious injury to people and damage to the product.

Corradi reserves the right to modify its products at any time, at its sole discretion and without notice.

Installation

Product installation must be performed only by qualified technical personnel (installers and electricians), who have received appropriate training and have been authorised by Corradi.

Personnel must also meticulously observe safety regulations in force.

Safety during maintenance operations

All maintenance inspection, repair or adjustment operations of the product must be performed by qualified technical personnel.

Cleaning with ladders, scaffolding or other equipment should be done by specialised personnel only.

During all cleaning and maintenance operations of the product it is always required to disconnect the electrical power (in the motorised model).

It is advised to put a warning sign on the power supply main switch with the following indication: "Do not touch. Service personnel at work".

Make sure that no operator is in the vicinity of the structure before turning it back on after a maintenance operation.

Always verify the operation and efficiency of manual and electric drives after maintenance. In case of anomalies immediately stop the movements and contact the Retailer.

If the canvas can be operated from a position from where it is not visible or in the presence of devices for automatic activation, the user must take appropriate organisational measures to prevent the movement of the canvas when nearby maintenance is being done such as cleaning of windows or walls, in order to avoid hazardous conditions and the risk of falls for people who are working on the façade.

Safety in case of wind loads



The canvas must be completely retracted (stacked) when the wind speed exceeds the speed equivalent to the wind resistance class (indicated on the attached declaration of performance) according to standard EN 13561.

To easily assess the wind speed in relation to the resistance classes, please refer to Table 1 "Wind resistance classes according to EN 13561" (chapter "Tables").

For non-standard products and/or other special cases the only valid value in terms of wind resistance is the one indicated in the offer sent by Corradi to the Authorised Retailer.

It is possible to install an anemometer for automatic stacking of the canvas if the indicated wind speed is exceeded. Periodically test its operation.

Important. If there is no device present for the automatic closure of the canvas, always keep it closed (stacked) if it is not supervised.

If the motorised model is installed in a windy area and with frequent electricity outages it is recommended to provide a backup source of electricity.

Precipitation safety

■ snow and frost



The product is not guaranteed to withstand snow weight. In the presence of snowfall, even with low intensity, the canvas must be fully retracted (stacked).

Operation during ice conditions can damage the product.

In the presence of ice/snow it is necessary to thoroughly clean the runners before moving the canvas.

■ rain



The canvas must be completely retracted (stacked) when the amount of rainfall is greater than 56 litres/square metre per hour (class 2 resistance to water pockets according to standard EN 13561).

The specified value refers to a constant flow of water during the hour of reference.

Important: this value (56 litres/square metre per hour) is guaranteed only with the canvas fully extended and the motor at its limit, and if the product has been installed perfectly level.

For non-standard products and/or other special cases the only valid value in terms of resistance to water pockets is the one indicated in the offer sent by Corradi to the Authorised Retailer.

It is possible to install a rain gauge for the automatic closure of the canvas if the indicated amount of rain is exceeded. Periodically test its operation.

Important: If there is no device present for the automatic closure of the canvas, always keep it completely retracted (stacked) if it is not supervised.

Risk of shearing/crushing

A height of passage lower than 2.5 m can generate the risk of shearing/crushing between the mobile part (front terminal tube) and the fixed part of the framework.

The risk of shearing/crushing is also present between the intermediate tubes of the canvas in the stacking phase.

The presence of the person commanding the movement is always mandatory until the end of the movement to make sure that there are no obstacles or people in the vicinity of the area of potential danger.

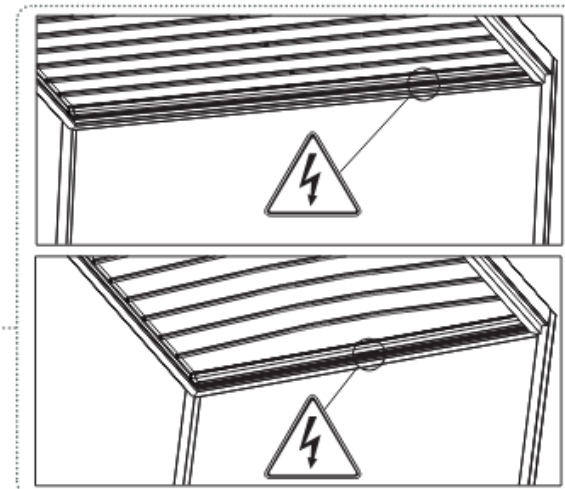
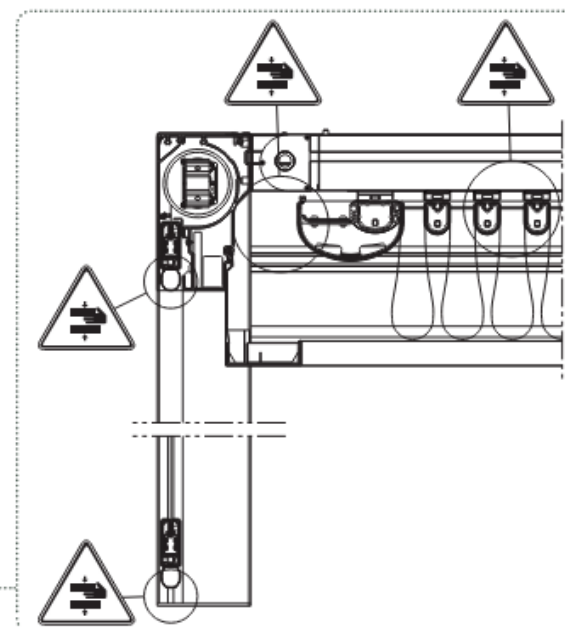
Risk of electric shock

The inspection, maintenance or repair of electrical components should be performed by qualified personnel only, making sure the product is fully disconnected from the power supply. There is in fact a danger of fatal electric shock.

Frequently examine the installation, check for any signs of wear or damage to the cables.

Do not use if a repair is necessary.

If not used for a long period of time, protect the visible mechanical parts.



Demolition

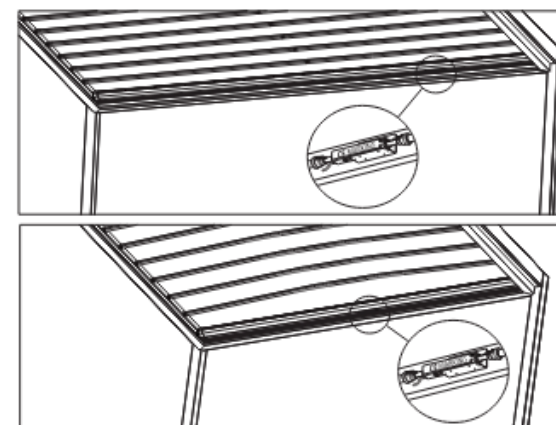
To ensure sustainable use of natural resources, the product is designed to be demolished in an environmentally friendly way at the end of its life cycle.

The components can be separated and disposed of in a specific way, and they are not considered as dangerous. Consequently there are no particular indications for scrapping and disposal, only the existing local regulations for the disposal of the components at the time of demolition. Disassembly must be carried out by qualified personnel, in order to avoid any risk.

Before working with any parts connected to the mains, it is mandatory to disconnect the product.



During demolition it is necessary to separate plastic parts and electrical components (represented by a symbol with crossed out wheelie bin), which must be sent to separate waste collection in compliance with current regulations. As regards the metal mass of the product, simply separate the steel parts from those made of other metals or alloys for proper recycling through fusion.



Position of the CE marking label on the framework

CE MARKING

Facsimile of the CE marking for the Maestro version 2 - 3 flat runners

Reference no. of the D.o.P. →

Unique identification code of the product-type →

Intended use as defined by the European standard applied →

Level or Class of performance declared →

Name or identifying mark and registered address of the manufacturer →

No. of the European Regulation applied as indicated in the OJEU →

Unique identification code of the product-type →

MODEL SERIAL NO. →

External use in buildings and other constructions →

Wind load resistance: See D.o.P. →

Total solar energy transmittance gtot: See document "Fabrics Gtot" →

CE 18 →

Last 2 digits of the year in which the CE marking was applied for the first time →

Name or identifying mark and registered address of the manufacturer →

Unique identification code of the product-type →

Declared performance →

Last 2 digits of the year in which the CE marking was applied for the first time →

No. of the European Regulation applied as indicated in the OJEU →

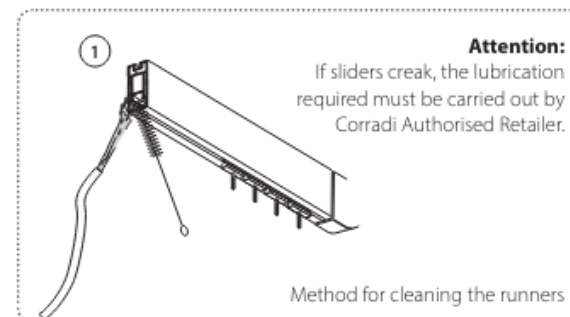
Label present if the Structural KIT is EN 1090 certified →

Corradi Srl	
Via Marino Serenari, 20 40013 Castel Maggiore (BO)	
CE -20	
XXXX	
XXXX/CPR/XXXX/XX	
SERIAL NUMBER XXXXXX	
EN 1090-1:2018	
Tolerances : EN 1090-3, EN 1090-2	
Tensile strength	: NPД
Reaction to fire	: Classe A1
Release of cadmium	: NPД
Radioactivity emission	: NPД
Durability	: A1
Weldability	: NPД
Structural features : Design according to xxx	
Manufacture : According to Specification of xxx and 1090-3, EN 1090-2	
Execution Class	: EXC2

MAINTENANCE

During all cleaning, maintenance, repair or adjustment operations on the product it is always required to disconnect the electrical power (in the motorised model). It is advised to put a warning sign on the power supply main switch with the following indication: **"Do not touch. Service personnel at work"**. The use of ladders, scaffolding or other equipment is reserved to specialised personnel who must perform all operations in compliance with current safety regulations, using the necessary PPE (Personal Protective Equipment).

Pergotenda® Maestro is a unique product incorporating design concepts and materials featuring top level quality and durability. To maintain the product fully functional over time, perform the cleaning and control actions as per the following table:



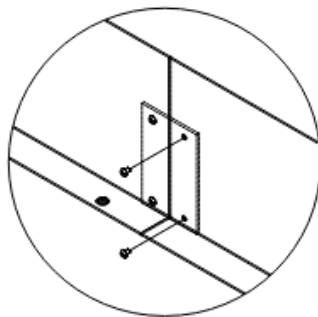
Components	Cleaning and control actions	In areas not exposed to salty air and smog	In areas exposed to salty air and smog
Runners	The internal part of the runners should be washed thoroughly with a jet of water, and if possible using a brush, removing all traces of dirt and/or salt deposits, as indicated in Figure 1.	Once a year	Once a month
Sliders	If sliders creak, the lubrication required must be carried out by Corradi Authorised Retailer (recommended: WD 40 Specialist - High Performance Silicone Lubricant).		
Canvas	If you want to maintain the side exposed to the weather like new, wash it so as to prevent dust and smog deposits on the canvas from becoming permanently fixed in the fabric through the action of the sun. To wash the canvas, spray water and mild soap on it, wait for a few minutes to make sure that the product has time to act, then use a sponge to remove dirt without applying excessive pressure. Repeat if necessary and rinse thoroughly.	2 or 3 times a year	2 or 3 times a year
Hardware	The hardware is stainless steel. It must be rinsed with a jet of water to remove any dirt and/or salt deposits.	Once a year	Once a month
	The appearance of micro-oxidation, more frequent in maritime environments subject to salt spray, does not affect the quality and durability of the product. Such oxidation is normal. If you need to eliminate these oxidised spots you can use a steel wool or a brush with stainless steel bristles. The protective chromium oxide film (self-passivation) will be restored naturally just through exposure to air, without any intervention by the user.		
Aluminium	Clean the painted aluminium profiles with a mild cloth dampened with water and mild soap. ATTENTION: Do not use acid to clean aluminium parts.	Once a year	Once a month
Gutters	Make sure that the drainage pipes of the gutter and downspouts are clean. Eliminate leaves and other debris that may clog the drainage holes.	At least 4 times a year do a weekly check when there are leaves or needles falling on the cover (e.g., Autumn)	
Anti-rebound system	Extensive maintenance of the Anti-rebound system present inside the gutters must be performed by the Corradi Authorised Retailer.	At least twice a year	
Gaskets and silicon seals	Check the proper operation of the gaskets and reposition them correctly if they have shifted. Periodically check the status of silicon seals, and if there is any deterioration, contact your Authorised Retailer.	Every 6 months	Every 6 months
Manual gearbox	The gearbox must be cleaned with a jet of water to remove any dirt and/or salt deposits.	Once a year	Once a month



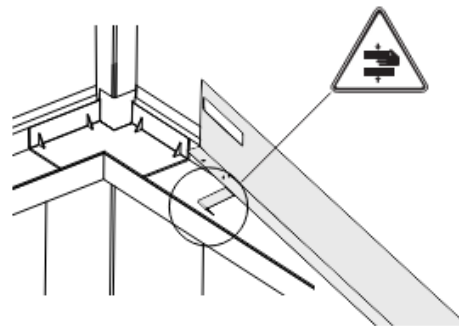
MAINTENANCE

ANTI-REBOUND SYSTEM

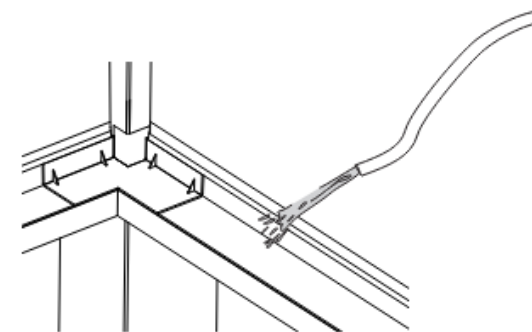
The operation must be performed by a Corradi authorised retailer wearing suitable PPE



- 1** Retract the awning.
Remove the junction plate.



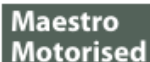
- 2** Release the anti-rebound barrier supports.
Disassemble the anti-rebound system, removing one profile at a time.



- 3** Remove any foreign bodies (leaves and debris) present in the gutters and clean them with a jet of water.

At the end of the cleaning operations, install the anti-rebound system as described in the Installation Manual.

TROUBLESHOOTING

	Problem	Possible cause	Controls and remedies
	Once the command has been sent, the motor does not start.	<ul style="list-style-type: none"> Motor overheating. Power plug is not connected to the mains. No electricity in the mains. 	<ul style="list-style-type: none"> Wait for 5-10 minutes to allow the motor to cool. Make sure the plug is properly connected to a working socket. Make sure the electricity is working in the house.
	<ul style="list-style-type: none"> The motor starts but the canvas does not move. The canvas movement is not fluid. 	<ul style="list-style-type: none"> Possibility of broken belts or disconnected motor shaft. Runners dirty or not perfectly aligned. 	<ul style="list-style-type: none"> Contact the Authorised Retailer. Clean the runners (see chapter <i>Maintenance</i>).

IF PROBLEMS PERSIST, OR IN CASE OF PROBLEMS NOT LISTED IN THIS TABLE, PLEASE CONTACT YOUR RETAILER.

WARRANTY

Art. 1 - Use

Pergotenda * Maestro is a pergola complete with sliding canvas to cover outdoor areas such as gardens, balconies, penthouses, yards, etc.

Pergotenda * Maestro and components as a whole are designed and patented by Corradi Srl, based in Castel Maggiore (BO), Italy, and are made in compliance with applicable technical standards.

The warranties hereunder shall be valid if the installation and use of the product conform to the specifications indicated in the following articles and tables, and if the use of the product corresponds to what is indicated in this "User Manual". High quality materials suited to outdoor use are used for the manufacture of Pergotenda * Maestro components.

Pergotenda * Maestro is custom designed and built for the customer, for protection against sun and rain with Class 2 resistance to water pockets (56 litres/square metre per hour) as per standard EN 13561 with the exception of snow load, and with wind resistance (indicated on the attached declaration of performance) as per standard EN 13561.

The use of the product in case of wind and precipitation is therefore allowed only within the limits of such resistance classes.

For products not indicated in the standards and/or for other special cases, the only valid values in terms of wind resistance and resistance to water pockets are those indicated in the offer sent by Corradi Srl to the Authorised Retailer.

Art. 2 - Versions

Pergotenda * Maestro can be free-standing on its own, connected laterally to another unit or anchored to a supporting wall. In all cases it should always be secured properly.

Art. 3 - Installation

Pergotenda * Maestro must always be properly secured (floor or wall). All the conditions indicated in its installation manual must be complied with.

The installation must be carried out by qualified technical personnel who have received appropriate training and have been authorized by Corradi Srl.

Corradi Srl is exempted from any liability regarding the positioning, assembly and installation of the products supplied.

Art. 4 - Validity of the warranty

The warranty is valid if installation and use conditions set out in articles 1, 2 and 3 are respected.

The warranty covers the repair or complete replacement free of charge (excluding labour) of all components that prove to be non-conforming or defective, including transport costs. Compensations for damages due to non-enjoyment of Pergotenda * Maestro for any period in which the equipment has not been used prior to and during the repair are not recognised.

No compensation can be claimed for "actual damages or lost profit". The above warranties will be effective only within the country in which the Retailer or dealer has its headquarters.

Art. 5 - Effective date of the warranty

The warranty starts from the date of work completion, in which the product installation is completed.

Art. 6 - Warranty exclusions

The warranty is void in the cases listed below, by way of example but not limited to:

- Damage caused by impacts or extraordinary natural causes (lightning, floods, earthquakes, hail, etc.).
- Damage due to work done by persons or technicians not authorised by Corradi Srl.
- The voltage has a variability greater or lower than 5% of the rated value (standard CEI 2-3 July 1988).

Art. 7 - Warranty duration

The warranty on aesthetic defects is valid for 1 month from the date of work completion, in which the product installation is completed. The responsibility for hidden defects is limited, in any case, to the following periods starting from the date of work completion:

- Aluminium: 120 months
- Fabrics (excluding Cristal), wood, operating mechanisms: 60 months.
- Electronic components, Cristal fabric: 24 months.
- Manual operating mechanisms: 60 months.
- Motors and electric components: 60 months.

The warranty is void if the product is subjected to any kind of work done by the Customer or a third party, not by an Authorised Retailer.

Art. 8 - Claims

Notwithstanding the rights acknowledged to the consumer by the Consumer Code relating to the legal warranty for defects by the Retailer, in case of sale not to the end user the buyer must inspect the purchased products immediately upon delivery and report any actual or alleged fault, malfunction or presumed lack of quality or condition of the good to Corradi Srl through the Retailer no later than 8 days from delivery of goods to the buyer.

Claims must be submitted, under penalty of being declared null and void, to Corradi Srl exclusively in writing by registered mail with acknowledgement of receipt or using the procedure available on the www.corradi.eu website in the area reserved for Retailers, providing photographic evidence of the product's defect.

The claim and warranty terms are those indicated below

- For the warranty against defects that render the product lacking in the promised quality, unsuitable for use or that diminish its value, under penalty of forfeiture a claim should be sent to Corradi Srl within eight days from delivery or from the discovery of hidden defects and the relevant action is time-barred one year after delivery
- For the warranty against defects that affect the correct operation of the product, under penalty of forfeiture a claim should be sent to Corradi Srl within 30 days from delivery of the product and the relevant action is time-barred six months after discovery.

Expressly excluded is any right of recourse of the final seller with regard to Corradi Srl as per art. 131 of ITALIAN LEGISLATIVE DECREE NO. 206/2005.

Art. 9 - Territorial extension of the warranty

The warranties set forth above will be effective only in the country in which the Customer has its registered office, to the exclusion of every other nation in which the Customer, directly or indirectly, will sell, install, grant on loan the product supplied by Corradi Srl.



TABLES

Table 1 - Wind resistance classes according to EN 13561

Class*	Nominal pressure of the wind	Equivalent wind speed (indicative)	Equivalent Beaufort scale (indicative)	Weather conditions (indicative)	Wind effects (indicative)
0	Not defined, the product is not certified				
1	Up to 40 N/sq m	Up to 28 km/h	4	Moderate breeze	Dust and loose paper raised, small branches begin to move
2	Up to 70 N/sq m	Up to 38 km/h	5	Fresh breeze	Small trees begin to sway
3	Up to 110 N/sq m	Up to 47 km/h	6	Strong breeze	Large branches in motion, umbrella use becomes difficult
4	Up to 170 N/sq m	Up to 59 km/h	7	High wind	Large branches in motion, effort needed to walk against the wind
5	Up to 270 N/sq m	Up to 74 km/h	8	Gale	Tree branches break, it is very difficult to walk outdoors
6	Up to 400 N/sq m	Up to 91 km/h	9	Strong gale	Tiles blow off roofs